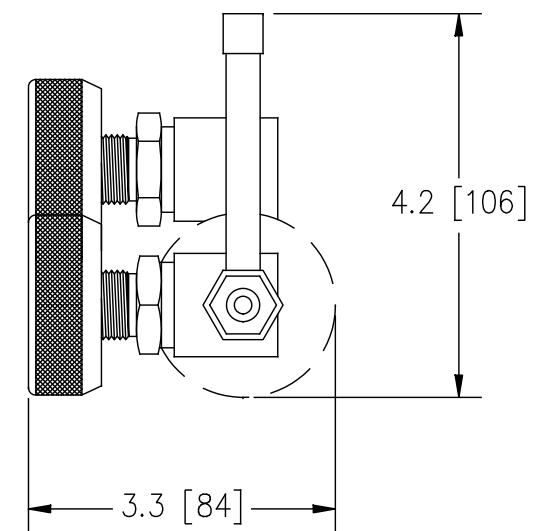
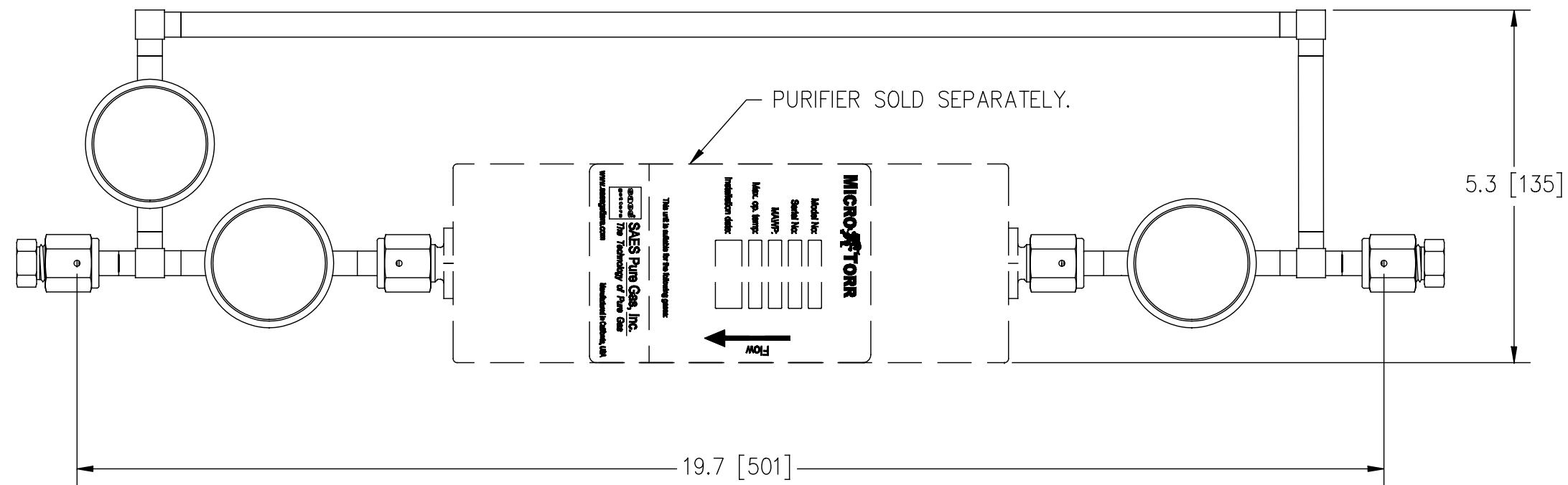


NOTES: UNLESS OTHERWISE SPECIFIED

1. INTERPRET DRAWING PER SAES PROCEDURE P250-010.
2. FITTINGS: INLET/OUTLET 1/4" FVCR.



UNLESS OTHERWISE SPECIFIED, DIMENSIONS ARE IN INCHES [mm] AND TOLERANCES ARE: ALL FEATURES				SAES Pure Gas, Inc. 4175 SANTA FE ROAD SAN LUIS OBISPO, CA 93401 (805) 541-9299	
FRACTIONS ± 1/32"	DECIMALS .X ±.1 [2.5]	BREAK SHARP EDGES .003 [0.076] TO .007 [0.178]	ANGLES ±1°	⊙ .010 [0.254] B	ENVELOPE DRAWING, MC700-3V
± [0.7874]	.XX ±.03 [0.76]	MACHINED SURFACES 125 RMS	// .010 [0.254] A	⊥ .010 [0.254] A	
.XXX ±.010 [0.254]					
DO NOT SCALE DRAWING	THIRD ANGLE PROJECTION	MATERIAL	APPROVALS	DATE	TITLE
		FINISH	DRAWN J. BEATTIE	12-18-13	SIZE B
		TREATMENT	CHECK P. MENIGOZ	12-18-13	CAGE CODE AC913
			ENG P. MENIGOZ	12-18-13	DWG NO. 4017346
					REV. 1
					SCALE N/A
					ECR/ECN NO. ENG REL SHEET 1 OF 1