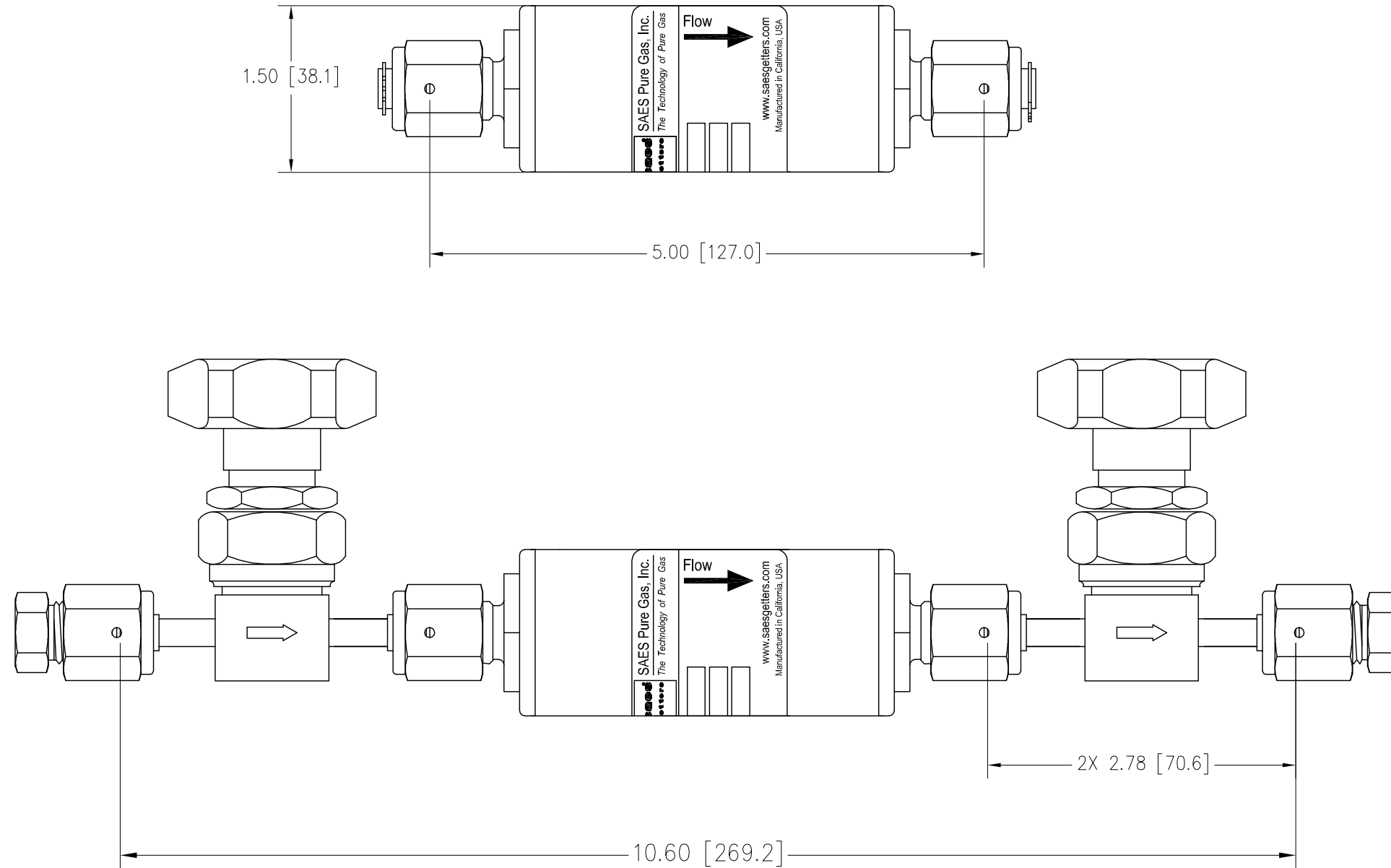


NOTES: UNLESS OTHERWISE SPECIFIED

1. INTERPRET DRAWING PER SAES PROCEDURE P250-010.
2. INLET/OUTLET FITTINGS: 1/4" MVCR.  
VALVE OPTION: 1/4" FVCR.



UNLESS OTHERWISE SPECIFIED, DIMENSIONS ARE IN INCHES [mm] AND TOLERANCES ARE: ALL FEATURES			
FRACTIONS	DECIMALS	BREAK SHARP EDGES	ANGLES
± 1/32"	.X ±.1 [2.5]	.003 [0.076] TO .007 [0.178]	±1'
± [0.7874]	.XX ±.03 [0.76]	MACHINED SURFACES	
	.XXX ±.010 [0.254]	125 RMS	

SAES Pure Gas, Inc. 4175 SANTA FE ROAD  
SAN LUIS OBISPO, CA 93401 (805) 541-9299

TITLE ENVELOPE DRAWING, MC50			
SIZE B	CAGE CODE AC913	DWG NO. 4012759	REV. -
SCALE N/A	ECR/ECN NO. SEE ECN 19708	SHEET 1 OF 1	

DO NOT SCALE DRAWING	MATERIAL	APPROVALS	DATE
THIRD ANGLE PROJECTION	FINISH	DRAWN J. BEATTIE	09-05-06
	TREATMENT	CHECK J. BEATTIE	09-05-06
		ENG P. MENIGOZ	09-05-06